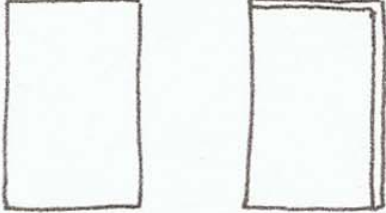
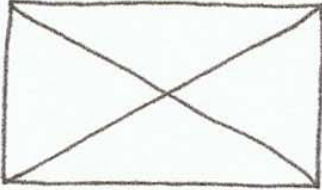
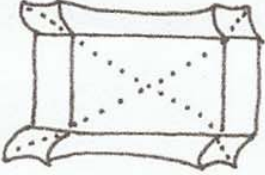
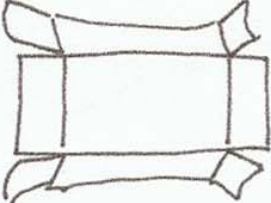
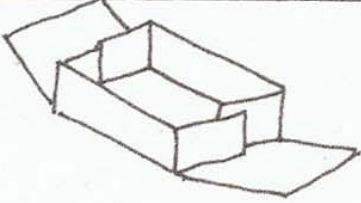
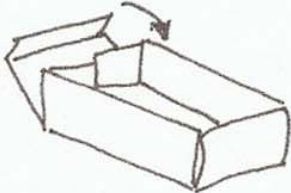


## MAKING A BOX FROM A GREETINGS CARD

Select cards that are oblong in shape as these work best. Cards that have a central decoration or where the point of interest is central look the nicest. If in doubt make the box and see what it looks like, you could be surprised.

<p>1. Cut the back from the front of the card along the fold line.</p> <p>2. Trim an <math>\frac{1}{8}</math><sup>th</sup> of an inch off of the top and one side of the back of the card. This is to make the bottom of the box and needs to be slightly smaller than the top.</p>	
<p>3. Take the front of the card, and on the wrong side draw a line diagonally from corner to corner. Draw a second line to connect the two remaining corners, this second line crosses the first line and marks the centre of the card.</p>	
<p>4. Fold each side, in turn, to this centre cross. At each fold, line up the sides to make sure the fold is straight, press down firmly on the fold line to make a firm crease line. Unfold before measuring and creasing the next edge</p>	
<p>5. On the two shortest sides, cut the crease line to the point where they are crossed by the first of the other crease lines.</p>	
<p>6. Fold up the longest sides, and fold in the cut portions to create a box shape.</p>	
<p>7. Fold what remains of the short sides, over the cut pieces making a new crease line as the remainder of the short side folds into the inside of the box. This can be glued to hold the box firm.</p>	
<p>8. Repeat the process with the slightly smaller box for the bottom</p>	